

CTP18

Introduction

CTP18 is a collaboration touch panel designed for small and medium rooms. Its 8-inch touch screen and user-centered interactive design allow users to join or control a meeting quickly and effortlessly. It greatly reduces the difficulty of using a video conferencing system and creates a better meeting experience. When CTP18 works with Yealink Wireless Presentation Pod WPP20, you can annotate or control the shared content on CTP18 directly, thereby improving the communication efficiency.



Android 10.0
OS



8-inch Multi-
touch Screen



Meeting
Control



Connect with Video
Conference Endpoint



Power over
Ethernet



Adjustable
Screen Angle



Wi-Fi &
Bluetooth



Ultrasonic



Key features and benefits

- Android 10.0 operating system
- 8-inch touch screen
- Support conference control
- Support annotation on shared content
- Connect to VCS endpoint via cable or via Wi-Fi
- Power over Ethernet (IEEE 802.3af)

Richer and Easier Meeting Control Features

CTP18 adopts effortless and user-centered interaction design, making meeting control more easier. The touch control of the screen outperforms traditional control modes magnificently. You can create or join a meeting on the home screen, and all meeting controls can be navigated on CTP18 with just a touch or a swipe of your finger, including previewing and adjusting the camera, changing the participant layouts, recording, etc.

More Efficient Collaboration

CTP18 can be paired with a video conference endpoint, and multi-touch is performed on the touch screen, which is convenient and simple to control the meeting. Supporting operations such as answering or hanging up calls to meetings, provides an easy and quickly meeting experience.

At the same time, the paired devices can be directly configured on the CTP18, reducing multidirectional operations.

Clutter-Free Meeting Space

CTP18 supports PoE where one cable carries both data and power for the device. Data transmission between CTP18 and the VCS endpoint is realized either by cable or by Wi-Fi, which eliminates the tricky wiring connections between the TV area and the conference table, saving you from remodeling the meeting spaces.

Specifications

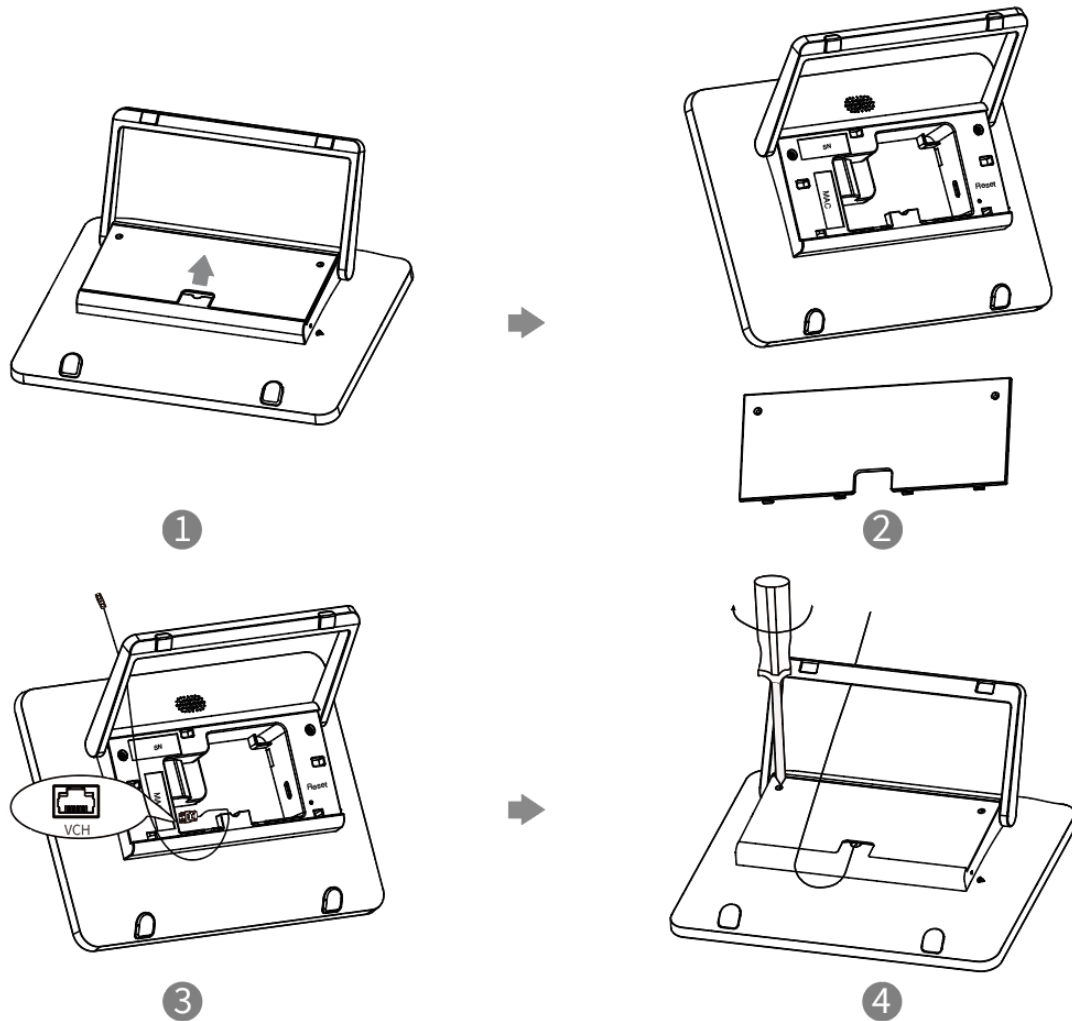
Specifications	Description
System Compatibility	<ul style="list-style-type: none"> Based on Android 10.0
Display	<ul style="list-style-type: none"> Screen: 8-inch IPS FHD capacitive touch screen Resolution: 1280*800 (16:10) Touch: 10 points multi-touch
Network and Security Features	<ul style="list-style-type: none"> Built-in dual-band Wi-Fi (2.4GHz/5GHz) Built-in Bluetooth Built-in Ultrasonic IPv4 and IPv6, DHCP/static IP HTTP/HTTPS web server SRTP/TLS, AES 256-bit encryption QoS: 802.1p/q, Diff-serv VLAN, LLDP IEEE802.1X EAP-MD5/EAP-TLS PEAP-MSCHAPv2 EAP-TTLS/EAP-MSCHAPv2 Network diagnosis: Ping, Trace route Time and date synchronization using SNTP Built-in certificate
CTP18 Physical Interface	<ul style="list-style-type: none"> USB: 1 x USB-C for device debugging RJ45: 1 x RJ45 Ethernet for power and data connection Reset slot: 1 x Reset slot
Other Physical Features	<ul style="list-style-type: none"> Power consumption: Normal operating: 7W; Max 8W Power input: PoE 48V ---0.27A Bracket: Integrated bracket, 28° - 50° steplessly adjustable Dimension (W* D* H): 50° 202 x 151 x 100; 28° 202 x 151 x 91.5
CTP18 Package	<ul style="list-style-type: none"> Package contents: <ul style="list-style-type: none"> CTP18 7.5m Ethernet cable 3m Ethernet cable Cable lock box PoE Adapter Mounting Bracket and Accessories Quick Start Guide Carton Meas: 265 x 203 x 148 mm

Device Compatibility

The maximum number of CTP18 supported by the conferencing room endpoint is as follows:

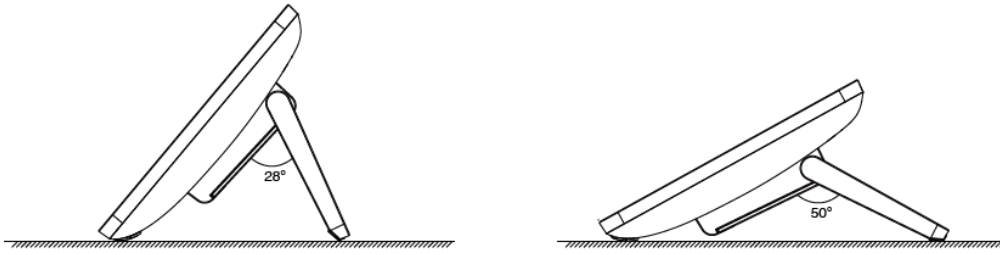
Device Name	Max. number of CTP18 supported
MeetingBar A10, MeetingBar A20, MeetingBar A30	1
MeetingBar A40	×
MVC Series, ZVC Series	×
MeetingBoard 65&86	Teams: 1 Zoom: 4 (MeetingBoard 65&86 version requires 155.15.0.37 or later)
MeetingEye 500, MeetingEye 500 Pro, MeetingEye 900	1

Connection

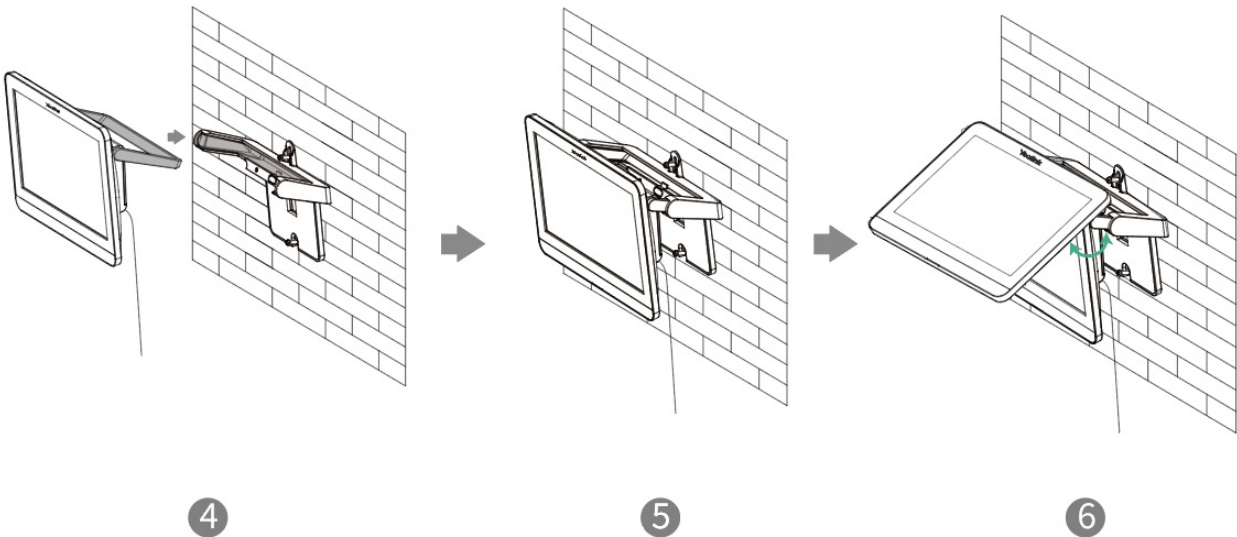
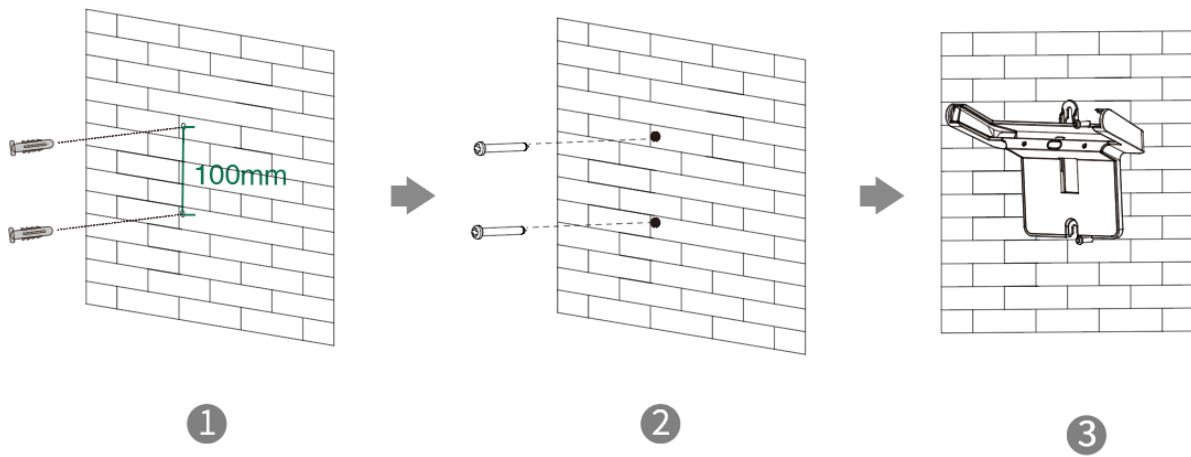


Installation

Put on a table



Mount on the wall



How to Use

The usage of CTP18 with different conferencing endpoints is different. Please refer to the corresponding document to know more about the connection, pairing and update of CTP18 with the different conferencing endpoints.

Teams Version:

- Connect the CTP18 to MeetingBar: [CTP18 Touch Panel](#)

- Connect the CTP18 to MeetingBoard: [CTP18 Touch Panel](#)

Zoom Version:

- Connect the CTP18 to MeetingBar: [CTP18 Touch Panel](#)
- Connect the CTP18 to MeetingBoard: [CTP18 Touch Panel](#)
- Connect the CTP18 to MeetingEye: [CTP18 Touch Panel](#)

BlueJeans Version:

- Connect the CTP18 to MeetingBar : [CTP18 Touch Panel](#)

RingCentral Version:

- Connect the CTP18 to MeetingBar: [CTP18 Touch Panel](#)